

Pin Description

1. CN7 (15PIN)

Connector manufacturer : J.S.T. Connector's

Connector model number : S15B-PH-SM4-TB

No.	Symbol	I/O	Description
1	Vcc	-	3.3V
2	Vcc	-	3.3V
3	SDO1	OUT	IIS format data (for DAC)
4	SDO2	OUT	IIS format data (for DAC)
5	SDO3	OUT	IIS format data (for DAC)
6	LRCK	OUT	IIS format LRCK (for DAC)
7	BCK	OUT	IIS format 64fs (for DAC)
8	MCK	OUT	IIS format 256fs (for DAC)
9	D.GND	-	Ground
10	MIDI IN 1	IN	MIDI IN 1 serial data *1
11	MIDI IN 2	IN	MIDI IN 2 serial data *1
12	MIDI OUT	OUT	MIDI OUT
13	xUPDATE	IN	Power on "L" = System update mode *1 Power on "H" = Application mode
14	xRESET	IN	Reset input (L = Reset) *1
15	D.GND	-	Ground

*1 : built-in 10kΩ pull-up

2. CN5 (5PIN)

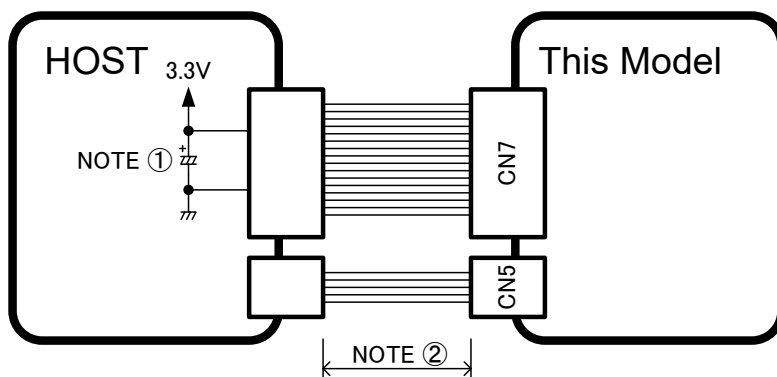
Connector manufacturer : J.S.T. Connector's

Connector model number : S5B-PH-SM4-TB

No.	Symbol	I/O	Description
1	D.GND	-	Ground
2	SDI 1	IN	IIS format data (for ADC) *1
3	SDI 2	IN	IIS format data (for ADC) *1
4	SDI 3	IN	IIS format data (for ADC) *1
5	D.GND	-	Ground

*1 : built-in 10kΩ pull-up

3. Note Of Connection



NOTE ①

Please use the electrolytic capacitor for Low-Impeadance.

NOTE ②

Please shorten the distance as much as possible.